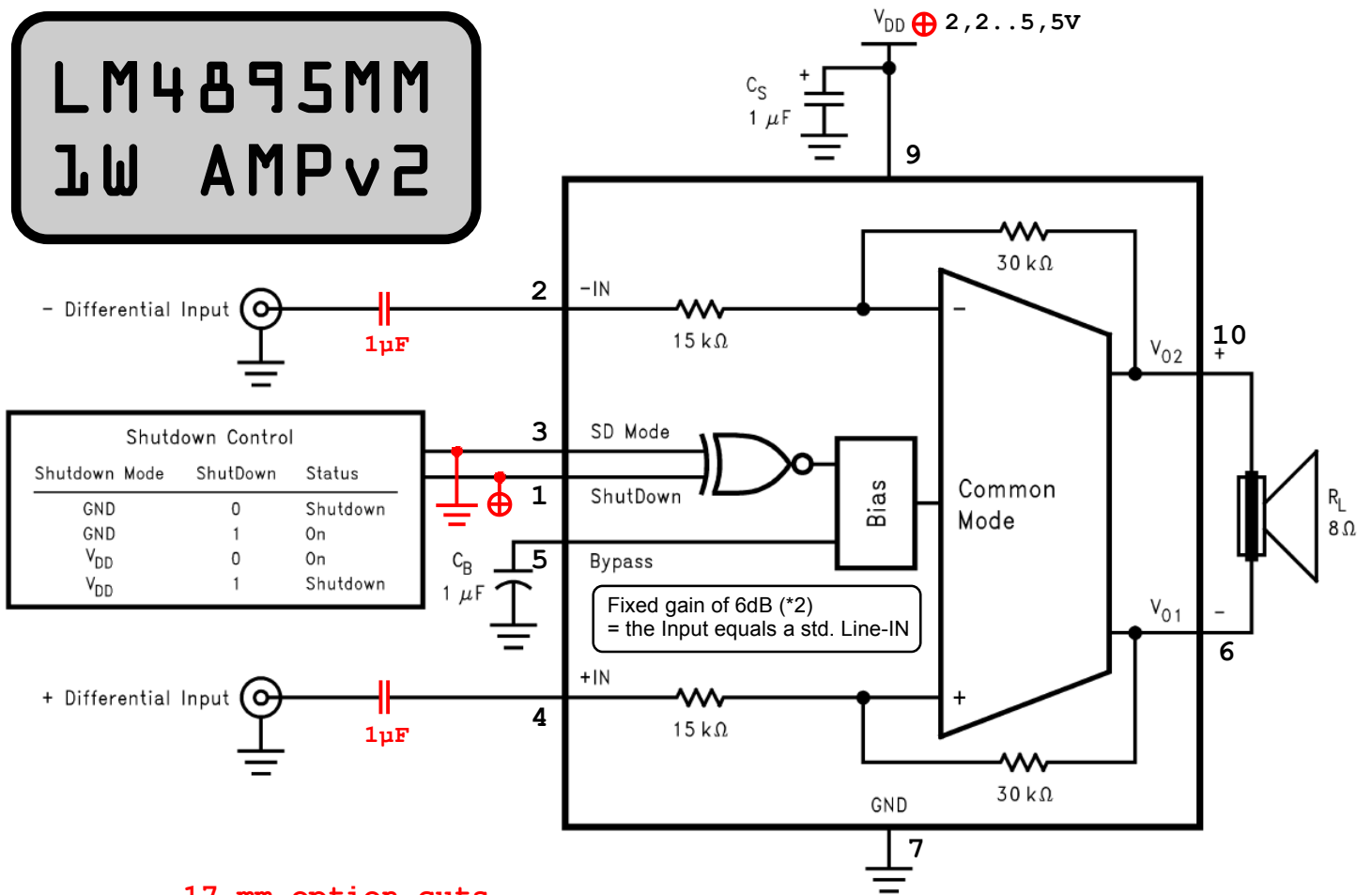
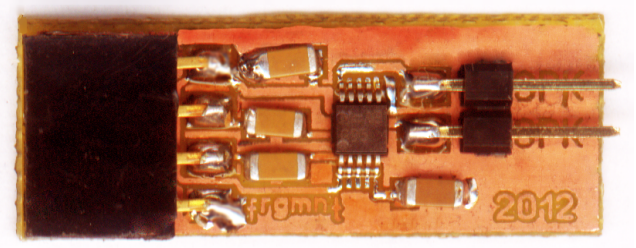
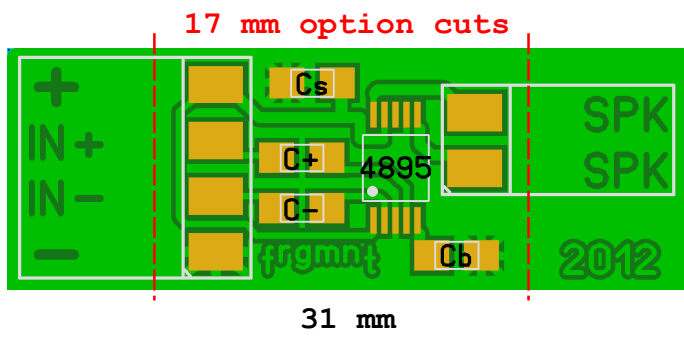


VALUES IN ( ) ARE MILLIMETERS

# LM4895MM 1W AMP v2



Shutdown Control		
Shutdown Mode	ShutDown	Status
GND	0	Shutdown
GND	1	On
V <sub>DD</sub>	0	On
V <sub>DD</sub>	1	Shutdown



LM4895MM AMP  
PRELIMINARY after 48h, Berlin, D  
Jo frgmnt Grys / frgmnt.org / 2012  
Transmitting Object Behaviors

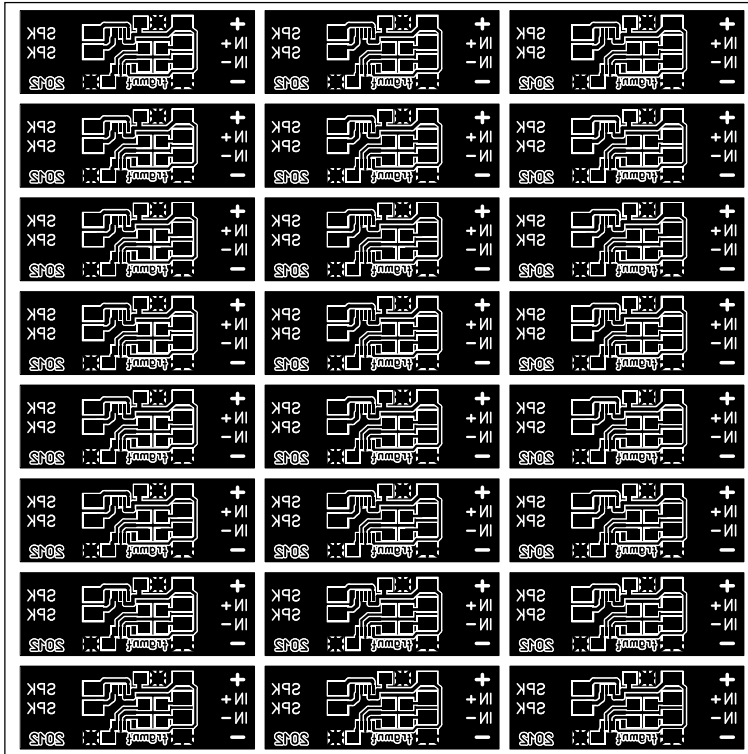


LM4895MM  
1W AMPv2

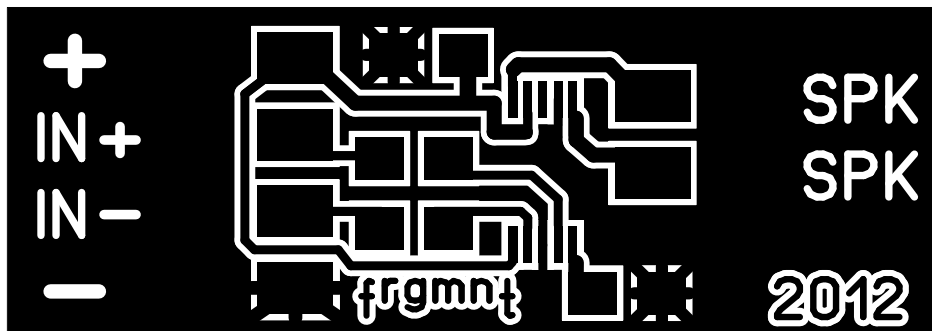
PCB  
(mirrored!)

100 mm

200% pdf print  
resized to 100%  
1,4mm distance



100 mm



400%